

257-135 Bulkhead Feed-Thru, Hermetic, Jam Nut Mount MIL-C-26482, Series II Type

HOW TO ORDER:

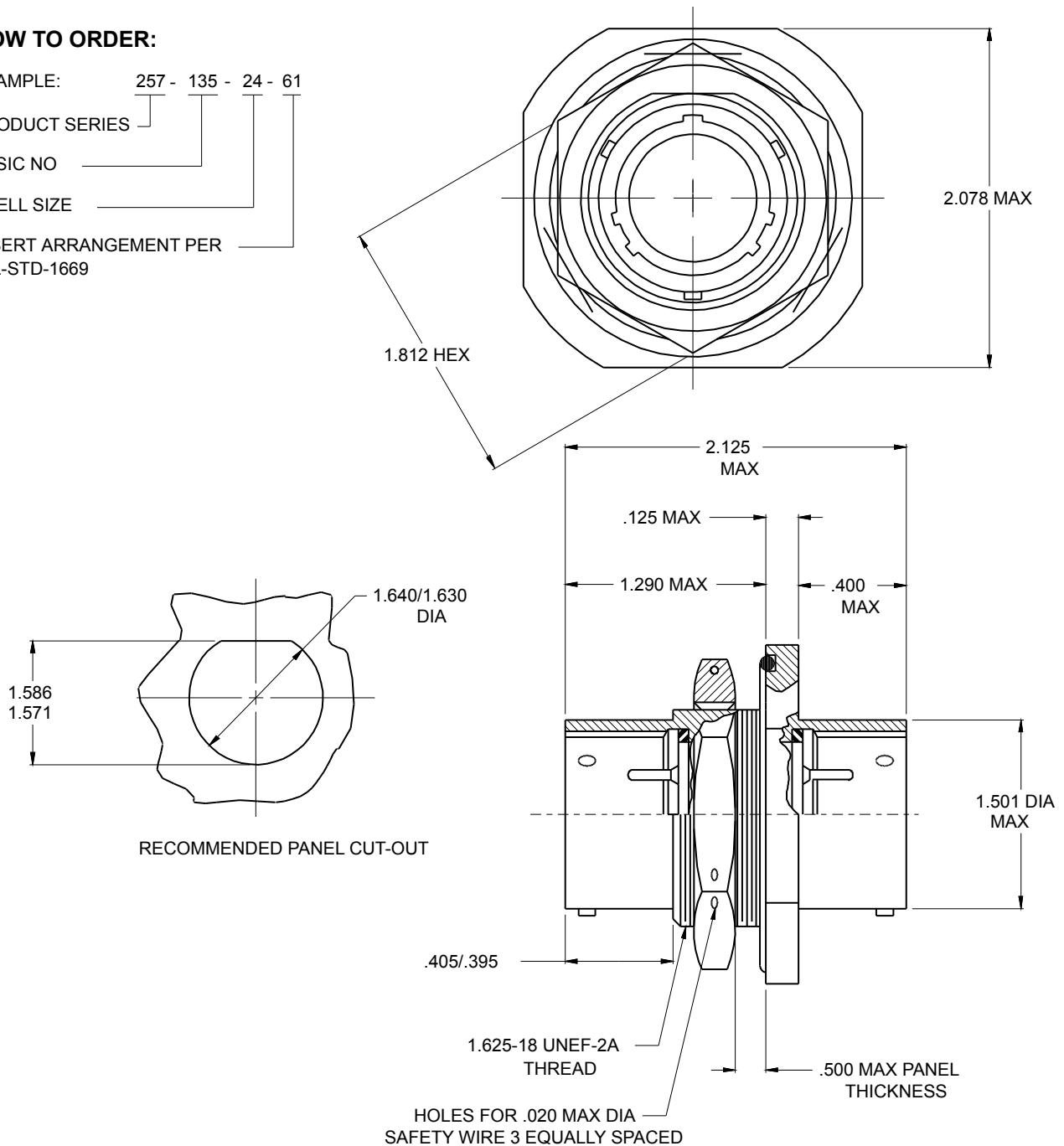
EXAMPLE: 257 - 135 - 24 - 61

PRODUCT SERIES |

BASIC NO |

SHELL SIZE |

INSERT ARRANGEMENT PER
MIL-STD-1669 |

**NOTES:**

1. ASSEMBLY IDENTIFIED WITH MANUFACTURER'S NAME AND P/N, SPACE PERMITTING.
2. ELECTRICAL SAFETY LIMITS MUST BE ESTABLISHED BY USER, PEAK VOLTAGE, SWITCHING SURGE, TRANSIENT, ECT.. SHOULD BE USED TO DETERMINE THE SAFETY APPLICATION.
3. $10^{-6}\text{cm}^3 \text{ He/sec@} 1 \text{ ATMOSPHERE DIFFERENTIAL}$

3. MATERIAL/FINISH:
SHELL, JAM NUT - CRES/NICKEL PLATE
CONTACTS - ALLOY 52/GOLD PLATE
INSULATOR - GLASS/N.A.
SEALS - FLUOROSILICONE/N.A.
SPACER - HIGH GRADE RIGID DIELECTRIC/N.A.
BAYONET PIN - CRES/PASSIVATED